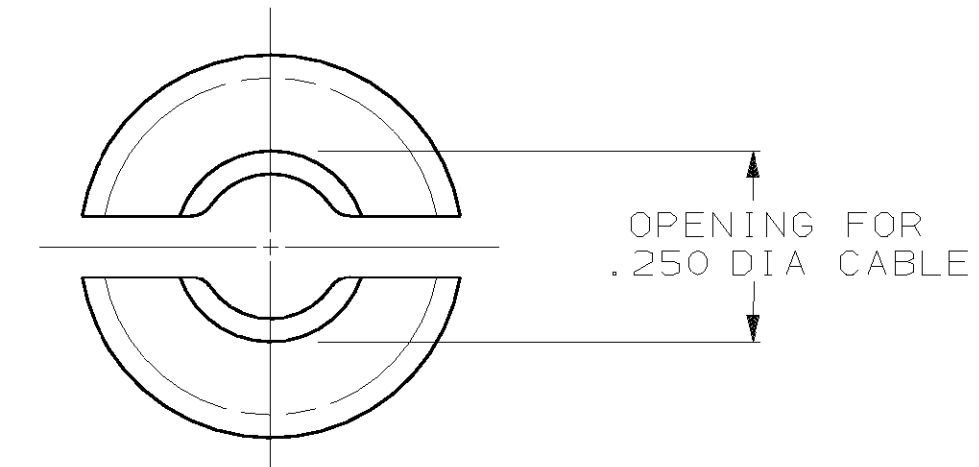
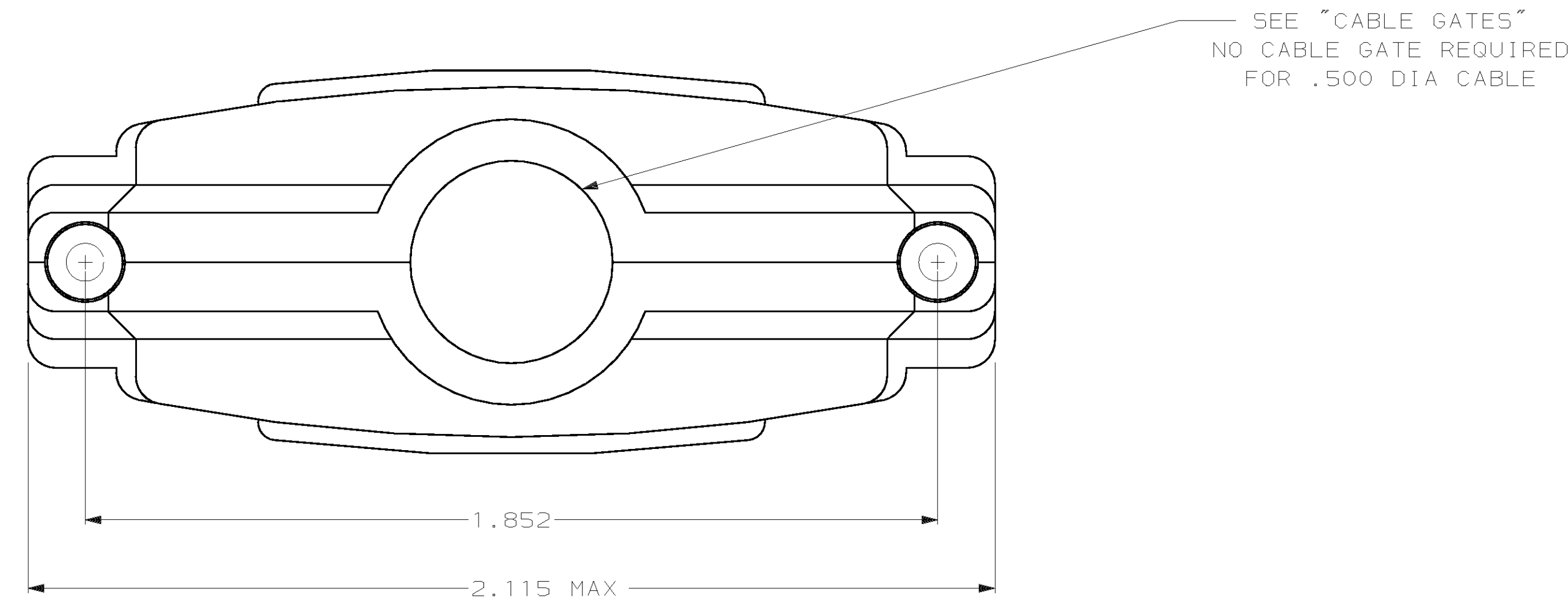
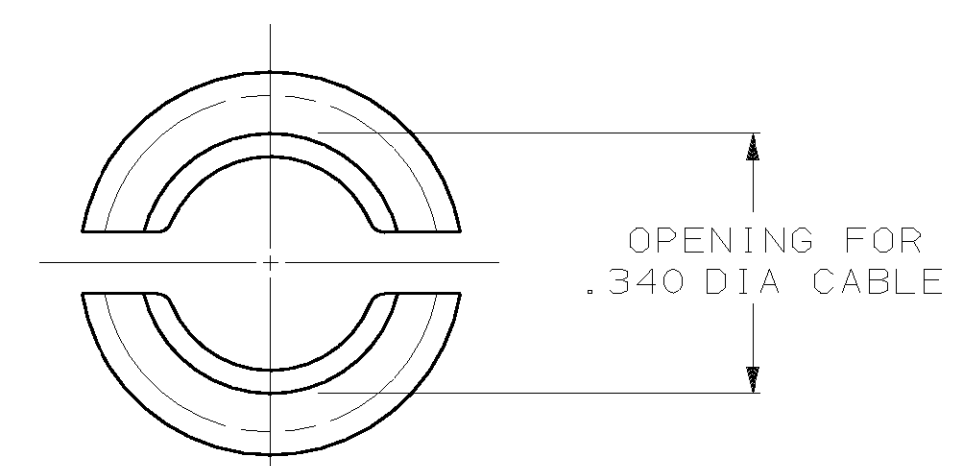


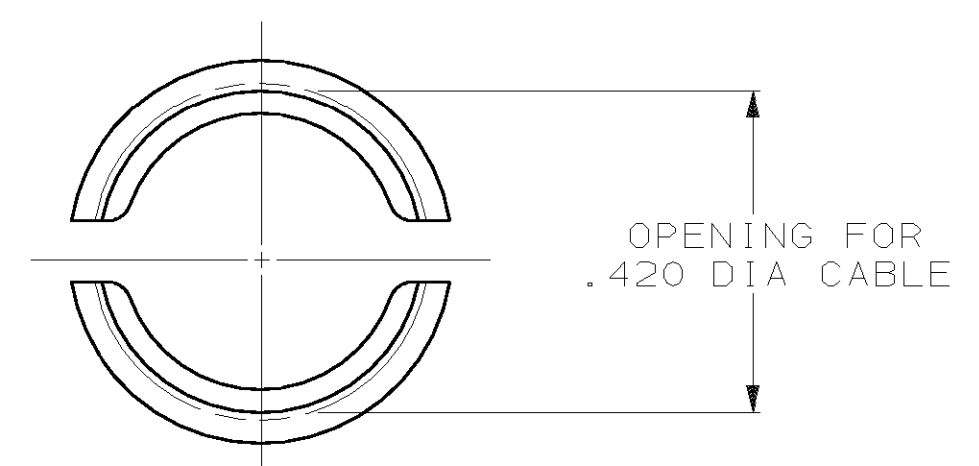
LOC		DIST		REVISONS		DATE	APPD
BD	77	P	F	ZONE	LTR	5/7/90	-
					A	REDRAWN ON CAD	5/7/90
					B	REV PER EC 0020-246-94	05/16/94
					C	OBS -1 PER EC 001D-0244-00	09 OCT 00



SET 3A

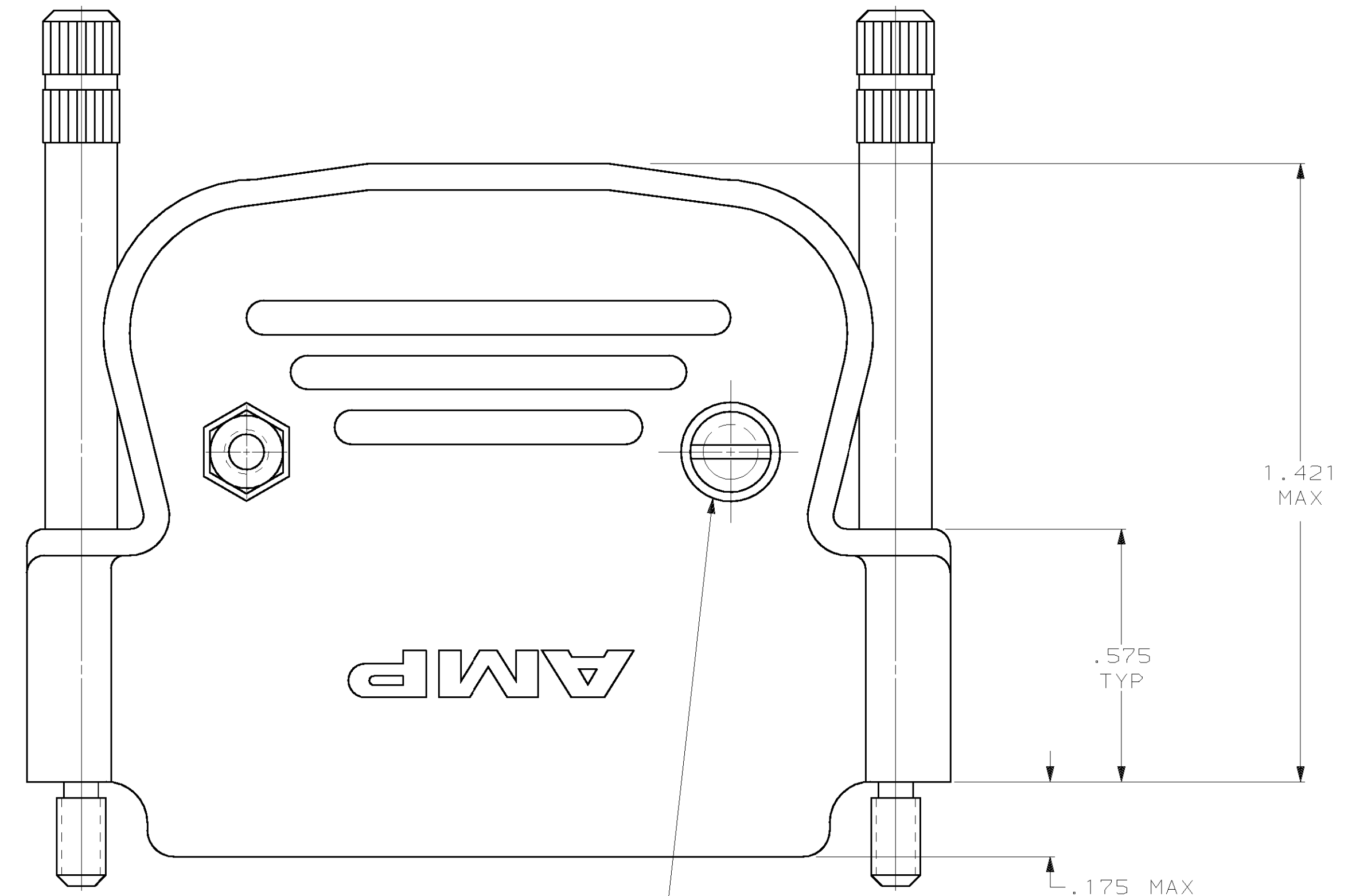


SET 3B

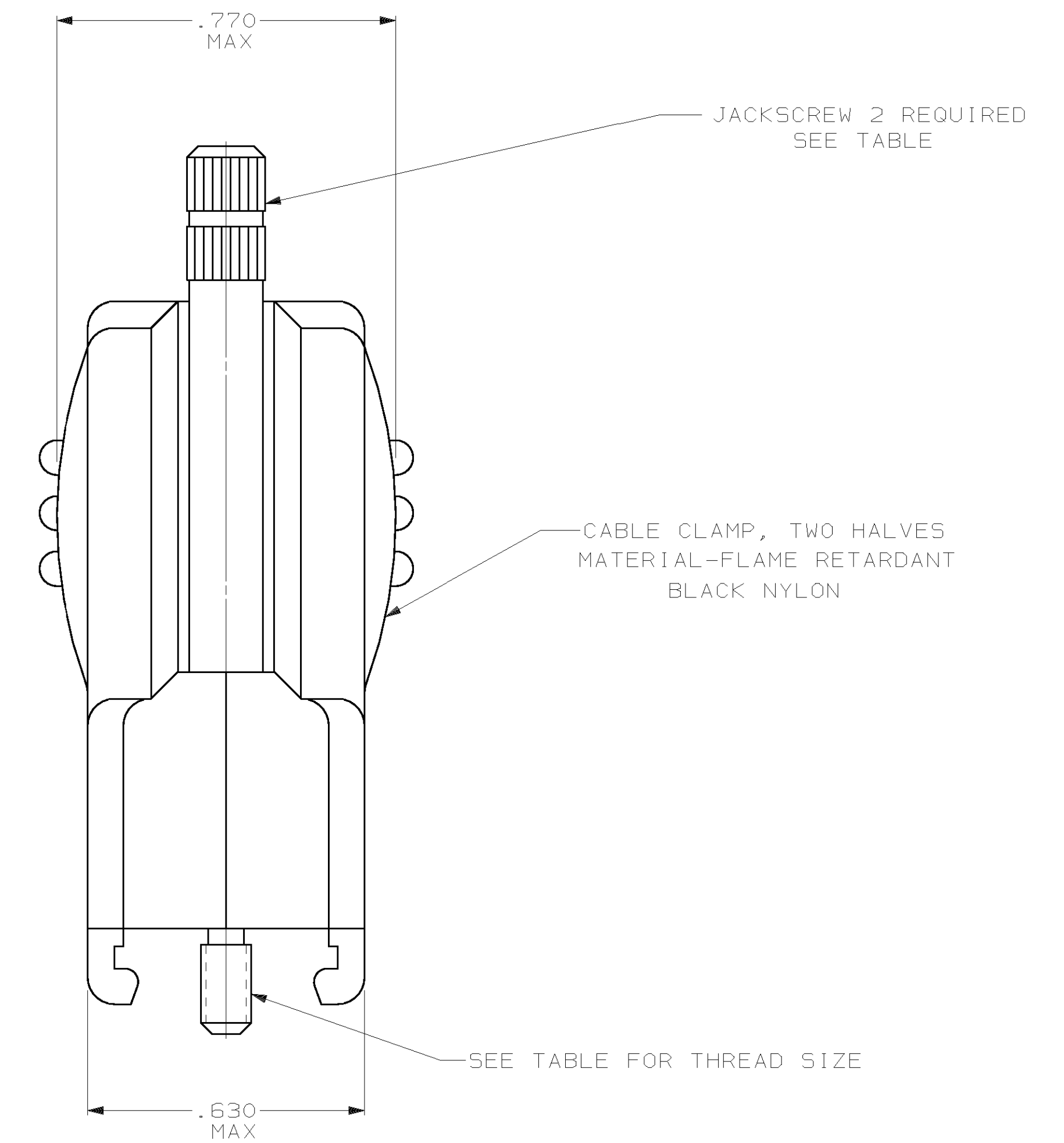


SET 3C

CABLE GATES



#4-40 x .500 LONG STEEL
 FIL HEAD SCREW & HEX NUT
 2 PLACES, PLATED CLEAR
 ZINC PER QQ-Z-325



	4-40	PASSIVATED	STAINLESS STEEL	745121-2
OBSOLETE	M3 x 0.5	Δ	STEEL	745121-1
	SCREW THREAD	FINISH	MATERIAL	PART NO.
	JACKSCREW			

- 1. PARTS PACKAGED UNASSEMBLED.
- 2. ZINC PER QQ-Z-325, BLACK.

DO NOT SCALE PRINT. UNLESS SPECIFIED DIMENSIONS IN INCHES TOLERANCES ON:		DR 5/7/90 A. STAUB BG		AMP INCORPORATED Harrisburg, Pa. 17105	
2 PLC DEC ± .005		CHK 6-15-90 W.G. LENKER			
3 PLC DEC ± .005		APPD 7-10-90 J. WESTMAN		NAME	
ANGLES ± -		APPD 7-16-90 J. ASSINI		STRAIN RELIEF ASSEMBLY, SIZE 3, 25 POSITIONS, AMPLIMITE	
MATERIAL		PRODUCT SPEC		SIZE	
SEE CALLOUT		-		D 00779	
FINISH		APPLICATION SPEC		FSCM NO	
SEE CALLOUT		-		00779	
WEIGHT		-		DRAWING NO	
-		-		745121	
		SCALE		SHEET	
		4:1		1 OF 1	